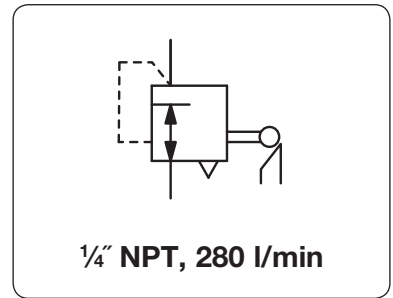


Description	Regulator of outstanding reliability and durability. Designed for precise pressure regulation in the event of disturbances in flow, supply pressure and temperature. With high relief capability, excellent setting sensitivity and suitable for operation in closed load conditions. Slight exhaust sounds are normal. Outlet pressure is proportional to the stroke of the piston or to the angle of the lever.
Media	dry, oil-free and 25 µm filtered compressed air
Supply pressure	max. 10 bar
Range travel	0.93 mm and 1.65 mm at plunger-operated regulator, 125° at lever-operated regulator
Accuracy	at varying supply pressures: < 1 mbar pressure deviation at varying volume flows: < 5 mbar pressure deviation
Air consumption	max. 3 l/min, subject to outlet pressure, 1% of volume flow
Relieving function	relieving, the exhaust valve's diameter is six times greater than the regulating valve's diameter
Gauge port	1/4" NPT on both sides of the body
Mounting position	any
Temperature range	0 °C to 70 °C / 32 °F to 158 °F, for appropriately conditioned compressed air down to -30 °C / -22 °F
Material	Body: zinc die-cast Elastomer: NBR/Buna-N



Dimensions			Description	Range travel	Operating force	Pressure range	Order number
A	B	C					
mm	mm	mm		mm ± 10%	daN	bar	

Stroke-proportional regulator supply pressure max. 10 bar, relieving, 1/4" NPT with constant bleed, flow rate 280 l/min **53.14/ 53.16**

54	123	14	roller plunger	0.93	1.1 daN	0.2 ... 1.0	53.1601.00
				1.65	1.5 daN	0.14 ... 1.7	53.1602.00
				1.65	2.8 daN	0.14 ... 4.0	53.1603.00
				1.65	4.9 daN	0.14 ... 8.0	53.1604.00
54	116	14	cam follower	0.93	1.1 daN	0.2 ... 1.0	53.1401.00
				1.65	1.5 daN	0.14 ... 1.7	53.1402.00
				1.65	2.8 daN	0.14 ... 4.0	53.1403.00
				1.65	4.9 daN	0.14 ... 8.0	53.1404.00



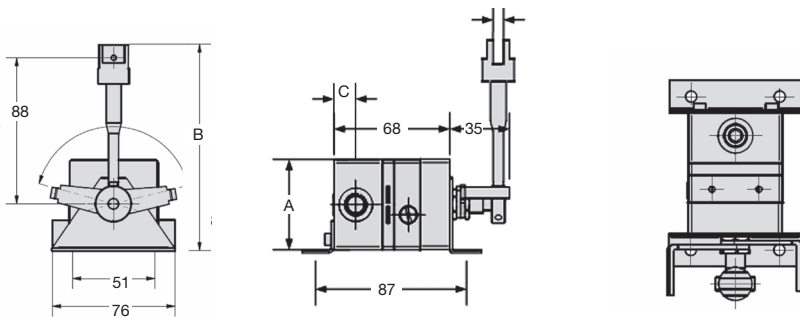
53.1404.00
stroke-proportional regulator

Angle-proportional regulator supply pressure max. 10 bar, relieving, 1/4" NPT with constant bleed, flow rate 280 l/min **53.18**

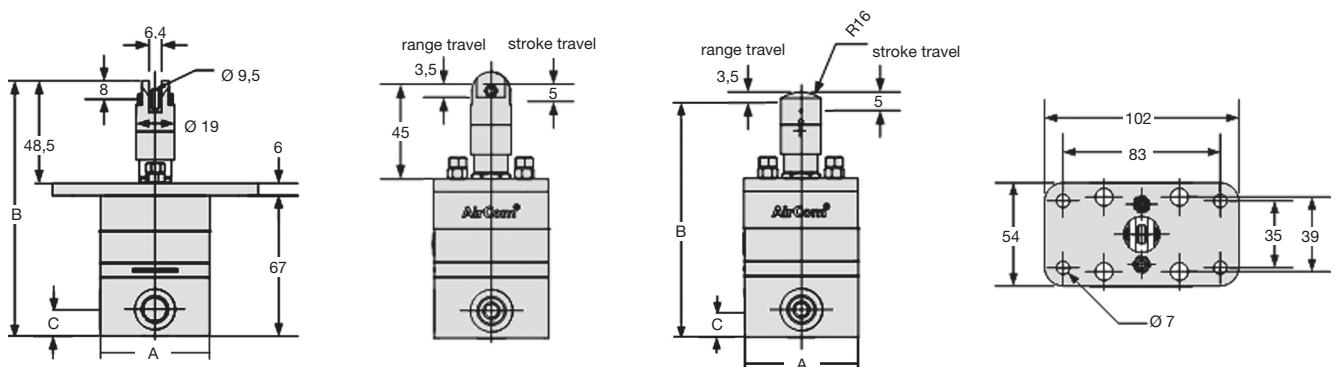
76	120	14	swivel lever	0-125°	1.4 daNmm	0.2 ... 1.0	53.1801.00
						0.14 ... 1.7	53.1802.00
						0.14 ... 4.0	53.1803.00
						0.14 ... 8.0	53.1804.00



53.1804.00
angle-proportional regulator



angle-proportional precision pressure regulator



stroke-proportional precision pressure regulator